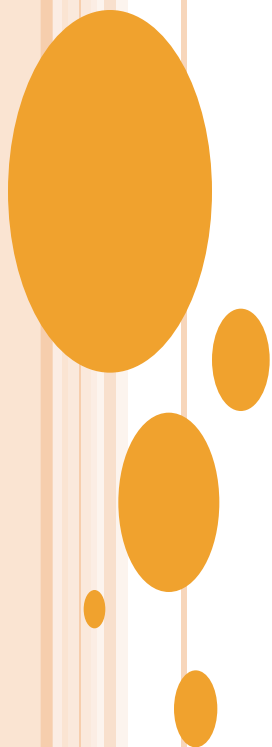
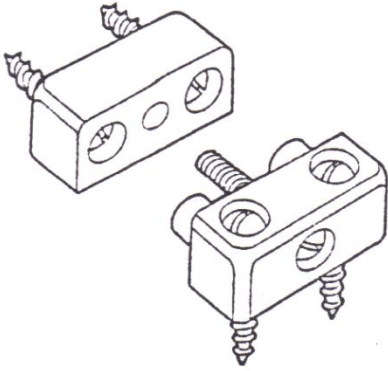


Knock Down Fittings

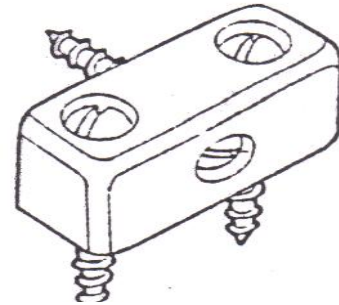


- Knock-down fittings (K.D.) were originally designed for ease of packaging and transport, but nowadays their main function is the quick assemble and disassemble of furniture.
- This includes furniture made from both solid and manufactured boards.
- The fittings are made from metal and plastic.
- Fittings are connected using basic tools like screwdrivers or spanners etc.
- Manufacturers who's main of business is making and selling flat pack furniture can sell furniture cheaper because they don't have labour costs of assembly and fitting.
- The best K.D. fittings remain firm and stable and distribute the load evenly throughout structure.

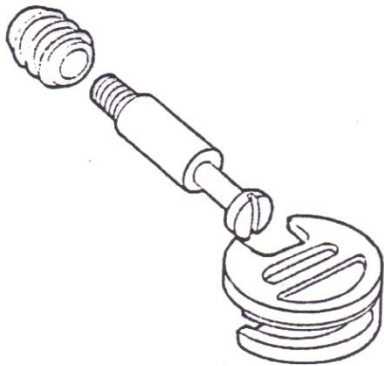




Block Joint : Hard plastic
Surface fitting, side to end

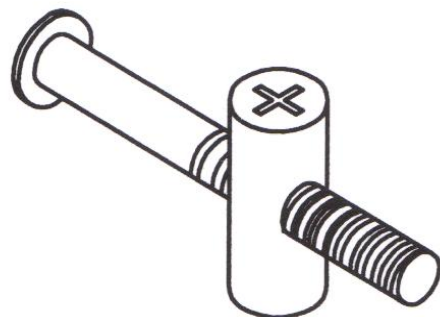


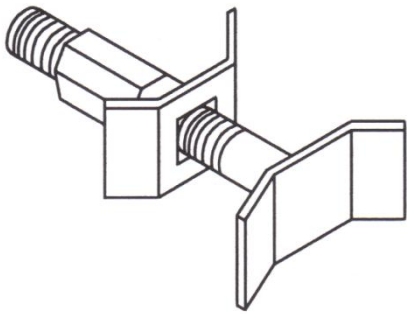
Modesty Block : Hard plastic.
Surface fitting, side to end



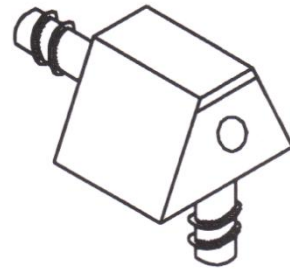
Bolt & Cam : Metal & plastic
Recessed & concealed,
carcase and solid furniture

Bolt & Dowel : Metal
Recessed & concealed
carcase and solid
furniture

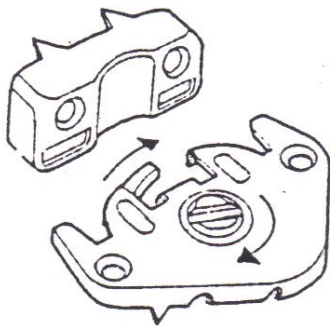




Panel Bolt Connector : Metal Recessed, used for joining two work tops end to end

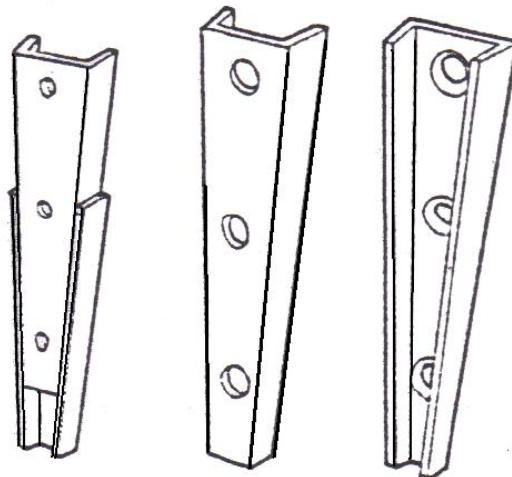


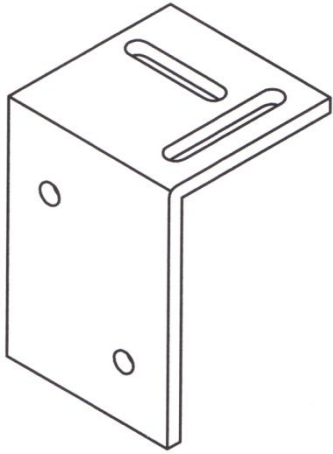
Knock Down Dowel :
Hard plastic
Surface fitting, side to end



Hook Cam : Metal. Surface, used for carcass work on larger furniture

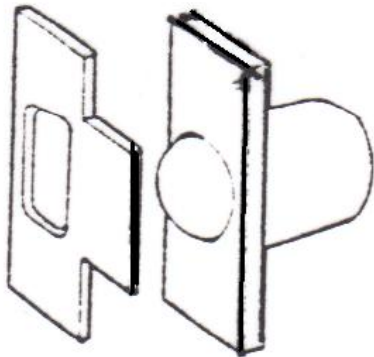
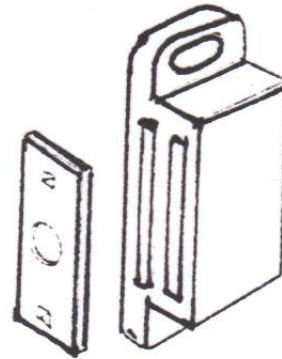
Taper connector :
Metal
Recessed used for connecting
Bed ends, larger furniture





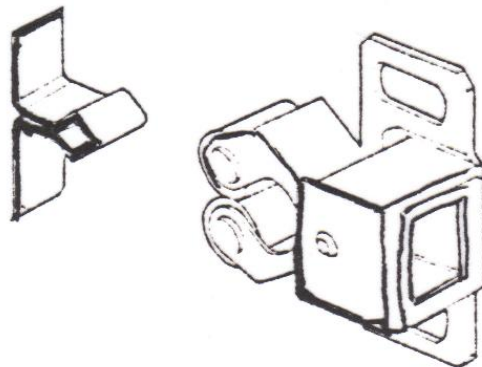
Shrinkage Plate : Metal
Surfaced or recessed
used for connecting
solid timber

Magnetic Catch : Metal &
plastic. Surface, used to
keep door closed



Ball Catch : Metal & plastic.
Surface, used to
keep door closed

Roller Catch :
Metal & plastic.
Surface, used to
keep door closed





(Mini-fix) Bolt & Cam :
Recessed & concealed,
carcase and solid furniture

Brass Bolt & cross dowel:
Recessed & concealed,
carcase and solid furniture



Metal corner connector : Slotted screws





Slotted recessed connectors

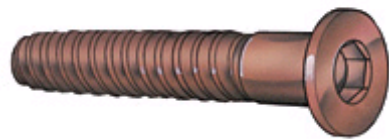


Keyhole Hangers

J. Byrne 2012



Connecting Screws :
Metal or plastic used for
joining carcasses using
pre-drilled holes

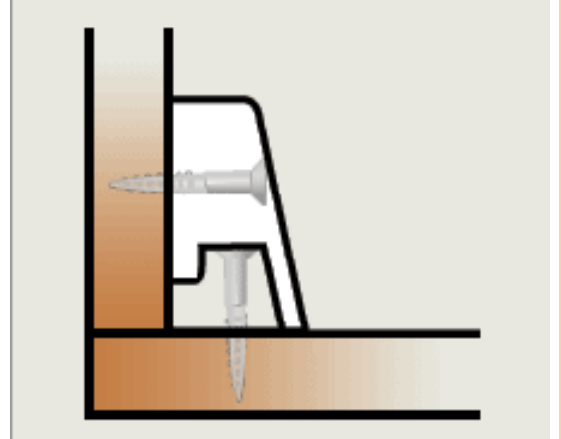


Comfit Screws





Lay on Hinges



Knock- Down Fitting

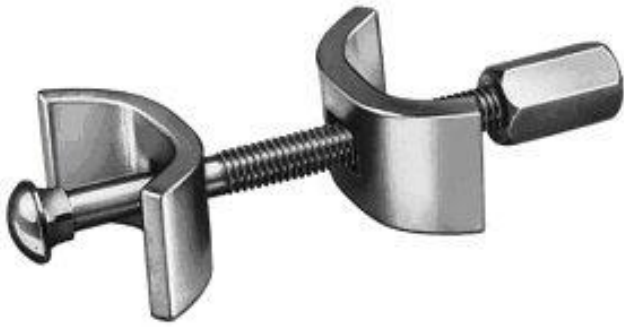


Carcase Legs



Insert for cable cut out





Panel Connector



Easy closers



Plastic Towel holders

